



HR15N

SELF PROPELLED WORK PLATFORM



15.60m (51ft 2in)
Working height

9.60m (31ft 6in)
Working outreach

1.50m Narrow Chassis
Allows operation in
confined areas

**Bi-Energy Power
Available**

Optimising utilisation

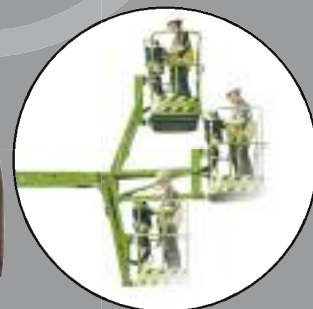
225kg SWL
Extra capacity for tools
and materials

Telescopic Upper Boom

Greater accuracy when
positioning platform

**Platform Rotation
& Fly-Boom**

Improving manoeuvrability
on site



niftylift.com



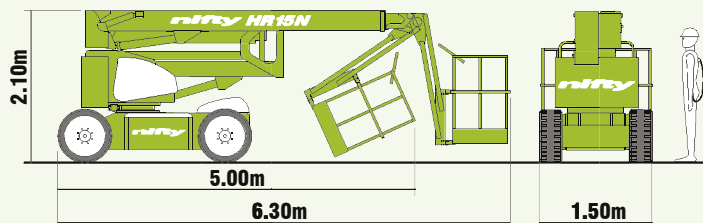
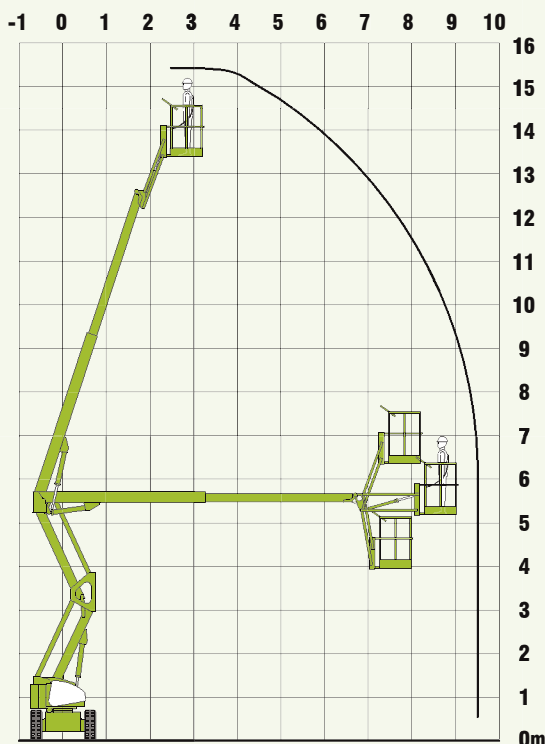
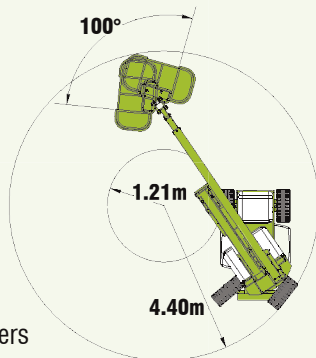
nifty

Heightrider 15N

The Nifty **Height Rider 15N** offers one of the best working envelopes in its class. Designed using the latest computer technology, it delivers unrivalled working outreach combined with pinpoint accuracy when positing the platform. A super narrow base as standard with the option of Bi-Energy power makes it ideal for a wide range of applications.

SAFETY FEATURES

- Manual Recovery with Hand Pump
- Automatic Failsafe Brakes
- CE Mark
- Tilt Alarm
- Solid Tyres
- Dual Harness Points
- Dual Controls (platform & base)
- Lock Valves on all Hydraulic Cylinders



Due to a policy of continuing development and improvement, Niftylift reserves the right to change any specification without notice. Please confirm exact specification before ordering.



With more outreach than any other machine in its class and a base width of only 1.50m, the **HR15N** is one of the most effective and versatile self propelled platforms available.

SPECIFICATIONS

Working Height	15.60m	51ft 2in
Platform Height	13.60m	44ft 7in
Working Outreach	9.60m	31ft 6in
Slew	360°	
Fly-Boom Arc	150°	
Width	1.50m	4ft 11in
Height	2.10m	6ft 11in
Length - Stowed	5.00m	16ft 5in
- Overall	6.30m	20ft 8in
Minimum Weight	6,680kg*	14,700lbs*
Turning Radius - Inside	1.21m	3ft 11in
- Outside	4.40m	14ft 5in
Platform Rotation	100°	
Platform Capacity	225kg	500lbs
Platform Size	1.50m x 0.70m	4ft 11in x 2ft 4in
Drive Speed	4 kph	2.5 mph
Gradeability	25%	
Control System	Fully proportional electric over hydraulic	
Power System	Battery Only	
	LPG Only	
	Bi-Energy - Battery & Diesel	
	(722 18Hp Kubota)	

* Weights may vary according to specification, please confirm before ordering.

PROLIFT

Access Ltd

☎: 0845 3664755
E: info@proliftaccess.co.uk,
W: www.proliftaccess.co.uk