

# Self-Propelled Scissor Lifts

GS™ -2032, GS-2632 & GS-3232

## Specifications

| Models                              | GS-2032     |        | GS-2632     |        | GS-3232     |         |
|-------------------------------------|-------------|--------|-------------|--------|-------------|---------|
| Measurements                        | US          | Metric | US          | Metric | US          | Metric  |
| Working height maximum <sup>1</sup> | 26 ft       | 8.10 m | 32 ft       | 9.92 m | 38 ft       | 11.75 m |
| <b>A</b> Platform height maximum    | 20 ft       | 6.10 m | 26 ft       | 7.92 m | 32 ft       | 9.75 m  |
| <b>B</b> Platform height stowed     | 3 ft 5 in   | 1.03 m | 3 ft 10 in  | 1.16 m | 4 ft 3 in   | 1.29 m  |
| <b>C</b> Platform length - outside  | 7 ft 5 in   | 2.26 m | 7 ft 5 in   | 2.26 m | 7 ft 5 in   | 2.26 m  |
| extended                            | 10 ft 5 in  | 3.18 m | 10 ft 5 in  | 3.18 m | 10 ft 5 in  | 3.18 m  |
| Slide-out platform extension deck   | 3 ft        | 0.91 m | 3 ft        | 0.91 m | 3 ft        | 0.91 m  |
| <b>D</b> Platform width - outside   | 2 ft 8 in   | 0.81 m | 2 ft 8 in   | 0.81 m | 2 ft 8 in   | 0.81 m  |
| Guardrail height: fixed rails       | 3 ft 3 in   | 0.99 m | —           | —      | —           | —       |
| folding rails                       | 3 ft 7 in   | 1.10 m | 3 ft 7 in   | 1.10 m | 3 ft 7 in   | 1.10 m  |
| Toeboard height                     | 6 in        | 0.15 m | 6 in        | 0.15 m | 6 in        | 0.15 m  |
| <b>E</b> Height - stowed            |             |        |             |        |             |         |
| fixed rails                         | 6 ft 8 in   | 2.03 m | —           | —      | —           | —       |
| folding rails                       | 7 ft        | 2.13 m | 7 ft 5 in   | 2.5 m  | 8 ft        | 2.43 m  |
| rails folded                        | 5 ft 9 in   | 1.75 m | 6 ft 3 in   | 1.91 m | 6 ft 8 in   | 2.03 m  |
| <b>F</b> Length - stowed            | 8 ft        | 2.44 m | 8 ft        | 2.44 m | 8 ft        | 2.43 m  |
| Length - extended                   | 10 ft 11 in | 3.33 m | 10 ft 11 in | 3.33 m | 10 ft 11 in | 3.33 m  |
| <b>G</b> Width                      | 2 ft 8 in   | 0.81 m | 2 ft 8 in   | 0.81 m | 2 ft 8 in   | 0.81 m  |
| <b>H</b> Wheelbase                  | 6 ft 1 in   | 1.85 m | 6 ft 1 in   | 1.85 m | 6 ft 1 in   | 1.85 m  |
| <b>I</b> Ground clearance - center  | 3.5 in      | 8.9 cm | 3.5 in      | 8.9 cm | 3.5 in      | 8.9 cm  |
| - with pothole guards deployed      | 0.88 in     | 2.2 cm | 0.88 in     | 2.2 cm | 0.88 in     | 2.2 cm  |

## Productivity

|                                    |                  |            |                  |            |                  |            |
|------------------------------------|------------------|------------|------------------|------------|------------------|------------|
| Maximum platform occupancy         | 2                |            | 2                |            | 2                |            |
| Lift capacity                      | 800 lbs          | 363 kg     | 500 lbs          | 227 kg     | 500 lbs          | 227 kg     |
| Extension deck capacity            | 250 lbs          | 113 kg     | 250 lbs          | 113 kg     | 250 lbs          | 113 kg     |
| Drive height                       | full height      |            | full height      |            | 22 ft            | 6.71 m     |
| Drive speed - stowed               | 2.2 mph          | 3.5 km/h   | 2.2 mph          | 3.5 km/h   | 2.2 mph          | 3.5 km/h   |
| Drive speed - raised               | 0.5 mph          | 0.8 km/h   | 0.5 mph          | 0.8 km/h   | 0.5 mph          | 0.8 km/h   |
| Gradeability - stowed <sup>2</sup> | 30%              |            | 25%              |            | 25%              |            |
| Maximum outrigger leveling:        |                  |            |                  |            |                  |            |
| front to back                      | —                | —          | —                | —          | 3°               |            |
| Maximum outrigger leveling:        |                  |            |                  |            |                  |            |
| side to side                       | —                | —          | —                | —          | 5°               |            |
| Turning radius - inside            | zero             |            | zero             |            | zero             |            |
| Turning radius - outside           | 7 ft             | 2.13 m     | 7 ft             | 2.13 m     | 7 ft             | 2.13 m     |
| Raise / lower speed                | 28 / 24 sec      |            | 28 / 24 sec      |            | 55 / 28 sec      |            |
| Controls                           | proportional     |            | proportional     |            | proportional     |            |
| Drive                              | dual front wheel |            | dual front wheel |            | dual front wheel |            |
| Multiple disc brakes               | dual rear wheel  |            | dual rear wheel  |            | dual rear wheel  |            |
| Tires - solid non-marking          | 15 x 5 in        | 38 x 13 cm | 15 x 5 in        | 38 x 13 cm | 15 x 5 in        | 38 x 13 cm |

## Power

|                           |                                       |      |                                       |      |                                       |      |
|---------------------------|---------------------------------------|------|---------------------------------------|------|---------------------------------------|------|
| Power source              | 24 V DC<br>(four 6V 225 Ah batteries) |      | 24 V DC<br>(four 6V 225 Ah batteries) |      | 24 V DC<br>(four 6V 225 Ah batteries) |      |
| Hydraulic system capacity | 4.5 gal                               | 17 L | 4.5 gal                               | 17 L | 4.5 gal                               | 17 L |

## Weight<sup>3</sup> / Floor Loading<sup>4</sup>

|                         |           |           |           |           |           |           |
|-------------------------|-----------|-----------|-----------|-----------|-----------|-----------|
| Weight - ANSI, CSA      | 4,435 lbs | 2,012 kg  | 4,413 lbs | 2,002 kg  | 5,185 lbs | 2,352 kg  |
| Tire load, maximum      | 1,699 lb  | 771 kg    | 1,773 lb  | 804 kg    | 1,700 lb  | 771 kg    |
| Tire contact pressure   | 113 psi   | 781 kPa   | 118 psi   | 815 kPa   | 113 psi   | 781 kPa   |
| Occupied floor pressure | 223 psf   | 10.66 kPa | 251 psf   | 12.01 kPa | 291 psf   | 13.92 kPa |

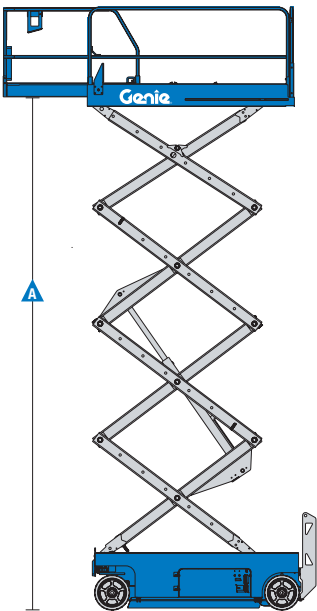
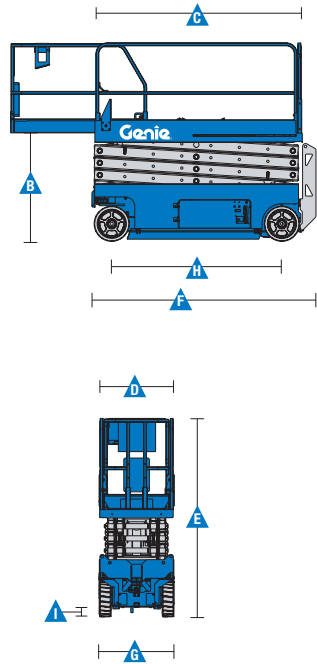
Standards Compliance ANSI A92.6, CSA B354.2, CE Compliance, AS 1418.10

<sup>1</sup> The metric equivalent of working height adds 2 m to platform height. U.S. adds 6 ft to platform height.

<sup>2</sup> Gradeability applies to driving on slopes, see operator's manual for details regarding slope ratings.

<sup>3</sup> Weight will vary depending on options and/or country standards.

<sup>4</sup> Note: Floor loading information is approximate and does not incorporate different option configurations. It should be used only with adequate safety factors.



### Features

#### Standard Features

##### Measurements

###### GS-2032

- 26 ft (8.10 m) working height
- Up to 800 lbs (363 kg) lift capacity

###### GS-2632

- 32 ft (9.92 m) working height
- Up to 500 lbs (227 kg) lift capacity

###### GS-3232

- 38 ft (11.75 m) working height
- Up to 500 lbs (227 kg) lift capacity

##### Productivity

- 89 x 32 in (2.26 x .81 m) steel platform
- 3 ft (.91 m) extension deck
- Fixed rail with chain entry gate (standard GS™-2032)
- Folding rails with half-height swing gate (standard on GS™-2632, GS™-3232)
- Automatic leveling outriggers (GS™-3232 only)
- Dual front wheel drive
- Universal 27A smart charger
- Rear recessed charger receptacle
- SmartLink™ - proportional lift and drive
- Platform control with battery charge indicator and diagnostic display
- On-board diagnostic system
- AC power to platform
- Lanyard attachment points
- Manual platform lowering valve
- Emergency stop at both platform and ground controls
- Rear wheel multiple disc brakes
- Front wheel hydraulic dynamic braking
- Manual hydraulic brake release
- Swing-out component trays
- Solid non-marking tires
- Pothole guards
- Tilt level sensor with audible alarm
- Dual flashing LED beacons
- Descent alarm
- Electronic horn
- Hour meter
- Motion alarm

##### Power

- 24 V DC (four 6 V 225 Ah batteries)

#### Options & Accessories

##### Productivity Options

- Folding rails with half-height swing gate (GS™-2032)
- Platform swing gate, half-height (GS™-2032)
- Air line to platform
- Automotive horn\*
- Biodegradable hydraulic fluid
- Platform control guard

##### Power Options

- Power Inverter (120 V/60 Hz)<sup>1</sup>
- EE rating
- AGM maintenance-free batteries
- Drive cutout while charging



<sup>1</sup> Not available with EE rating

#### Genie United States

6464 185th Ave. NE  
Redmond, WA 98052  
Telephone +1 (425) 881-1800  
Toll Free in USA/Canada +1 (800)-536-1800  
Fax +1 (425) 883-3475

#### Distributed By:

