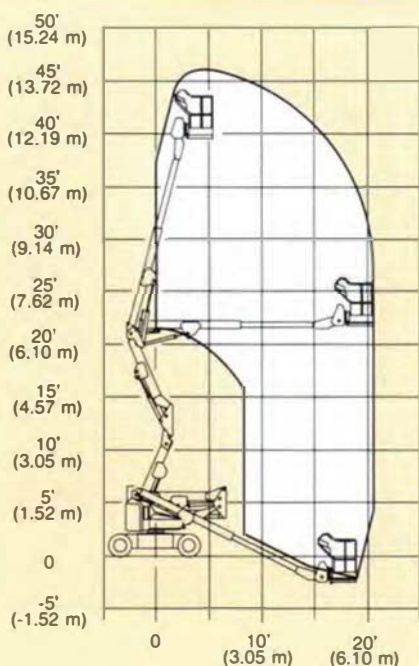


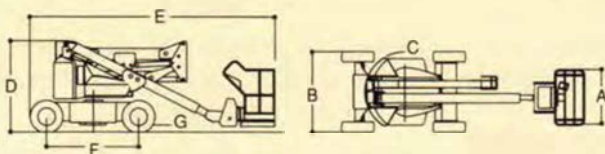
# 40 & n40 electric



**REACH  
DIAGRAM**

## REACH SPECIFICATIONS

Platform Height	.....	40 ft. (12.19 m)
Horizontal Outreach	.....	20 ft. 6 in (6.25 m)
Up and Over Clearance	.....	20 ft. (6.1 m)
Turntable Rotation	.....	.360° (non continuous)
Platform Capacity	.....	500 lbs. (227 kg)
Platform Rotator	.....	.110° Hydraulic



## DIMENSIONAL DATA

A. Platform Size	.....	26 x 48 in. (0.66 x 1.22 m)
B. Overall Width Model 40	.....	.5 ft. 9 in. (1.75 m)
Overall Width Model n40	.....	.4 ft. 11 in. (1.5 m)
C. Tailswing (working condition) Model 35	.....	.zero
Tailswing (working condition) Model n35	.....	.5 in. (0.13 m)
D. Stowed Height	.....	.6 ft. 7 in. (2.0 m)
E. Stowed Length Model 40	.....	.17 ft. 7 in (5.36 m)
Stowed Length Model n40	.....	.17 ft. 4 in. (5.28 m)
F. Wheelbase	.....	.6 ft. 7 in. (2.0 m)
G. Ground Clearance Model 40	.....	.6 in. (0.15 m)
Ground Clearance Model n40	.....	.4 in. (0.10 m)
Gross Vehicle Weight Model 40	.....	10,700 lbs. (4,853 kg)
Gross Vehicle Weight Model n40	.....	11,830 lbs. (5,366 kg)

## CHASSIS

Drive Speed Model 40	.....	.3.0 mph (4.8 kph)
Drive Speed Model n40	.....	.2.5 mph (4.0 kph)
Gradeability	.....	.25%
Tyres Model 40	.....	.pneumatic 225/75R15
Tyres Model n40	.....	.solid rubber 22 x 6 x 16
Axle Oscillation	.....	.1 in. (0.03 m)
Turning Radius (outside) Model 40	.....	.11 ft. 10 in. (3.63m)
Turning Radius (inside) Model 40	.....	.4 ft. 3 in. (1.31 m)
Turning Radius (outside) Model n40	.....	.11 ft. 10 in. (3.63 m)
Turning Radius (inside) Model n40	.....	.5 ft. 3 in. (1.60 m)

## POWER SYSTEM

Electrical System	.....	.48V DC
Batteries	.....	.eight 6V 370 amp-hr
Drive Motors	.....	.two series wound fan cooled electric traction motors
Brakes	.....	.spring applied electrically released multiple discs
Hydraulic Motor/Pump	.....	.permanent. magnet motor/single gear pump
Hydraulic Reservoir	.....	.15.1 L
Manual Lowering	.....	.lever actuated hand pump