



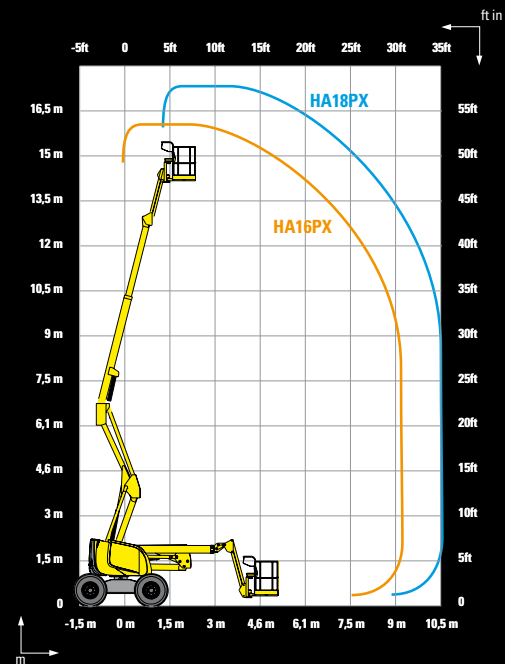
Optimal productivity :

- Continuous 360° turntable rotation
- Full proportional controls and simultaneous boom functions
- Lifts to full height in 44 seconds

Outstanding rough terrain driving features

- 4 wheel steer and 4 wheel drive mean greater manoeuvrability
- Hydraulic differential lock
- 40cm ground clearance

9.2 metre outreach provides a large working envelope



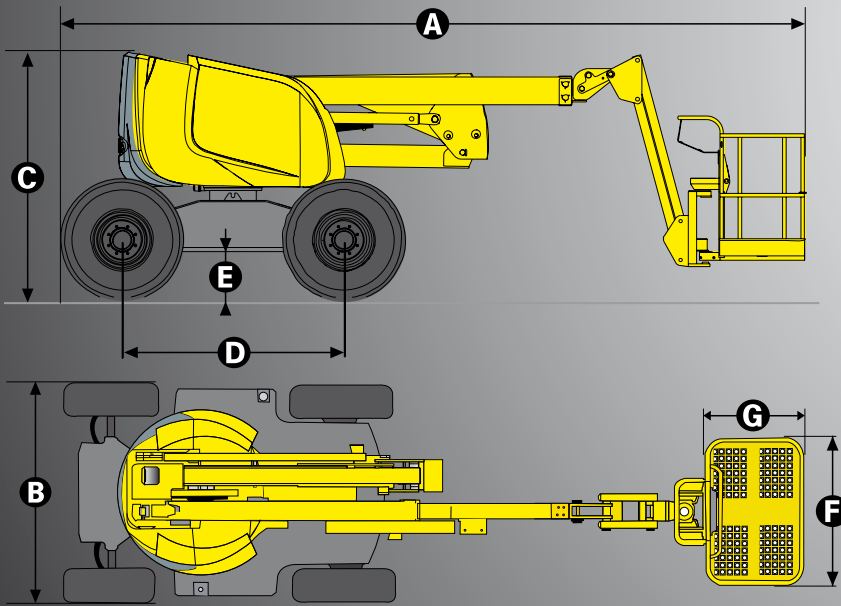
Haulotte 
GROUP

More than lifting



HA16 PX / HA18 PX

ROUGH TERRAIN ARTICULATING BOOMS



TECHNICAL DATA

HA16 PX HA18 PX

Working height	16 m	17.3 m
Platform height	14 m	15.3 m
Horizontal outreach	9.2 m	10.6 m
Up and over clearance	6.6 m	6.6 m
Lift capacity	230 kg	230 kg
F x G - Platform size	1.8 x 0.78 m	1.8 x 0.78 m
A - Length	6.95 m	7.6 m
Storage length	5.25 m	5.9 m
B - Width	2.3 m	2.3 m
C - Height - stowed	2.2 m	2.2 m
Storage height	2.3 m	2.3 m
Vertical jib rotation	140° (+70/-70)	140° (+70/-70)
Platform rotation	180° (+90/-70)	180° (+90/-90)
Turntable rotation	360°	360°
Tailswing	0 m	0 m
D - Wheelbase	2 m	2 m
E - Ground clearance	40 cm	40 cm
Tilt	5°	5°
Drive speed	1.4 - 5.5 km/h	1.4 - 5.5 km/h
Gradeability	50 %	50 %
Turning radius - outside	3.75 m	3.75 m
Tires - foam-filled	385/65-22.5	385/65-22.5
Power source	31 kW - 42 hp	31 kW - 42 hp
Hydraulic system capacity	100 l	100 l
Fuel tank capacity	72 l	72 l
Weight	6950 kg	7950 kg

STANDARD EQUIPMENT

- 4 wheel drive and steer
- Continuous 360° turntable
- Safe to use in winds up to 60km/h
- Swing out engine tray for ease of maintenance
- 72 l fuel tank; 1.50 m filling height
- 5° tilt alarm
- 12 V battery / electrical control system
- Auxiliary power in platform
- Brake release
- Hourmeter
- Mechanical turret slewing hook
- Towing hooks / lifting eyes

OPTIONS AND ACCESSORIES

- 3.3 kW on-board generator
- Power line in platform
- Large basket 2.3 x 0.80 m
- Travel alarm
- Rotating beacon
- Working light
- Catalytic exhaust
- Biodegradable hydraulic oil
- Cold Weather Package
- Warm environment kit
- Air line in platform

Haulotte 
GROUP