

CMC-SPIDERLIFT S19 Specification



CMC-SPIDERLIFT S19

The Original Spiderlift Company
www.spiderlift.co.uk
Tel: 0870 225 5554



SPIDERLIFT is a registered trademark of Ranger Equipment Ltd



Standard Specification

Max. working height	18.7 metres
Max. horizontal outreach	12 metres, with 80kgs capacity
Max. platform capacity	200kgs
Platform basket	detachable aluminium - 1200x700x1100mm
Boom rotation	360 degrees (180+180 degrees)
Stabilisers	Hydraulic powered, articulated, auto levelling (optional)
Stabiliser base area	wide - 3.5m x 3.5m / narrow - 2.66m x 4.05m
Boom configuration	single lower riser boom Articulating/double telescoping upper boom Rotating basket 90deg + 90deg (180deg)

Minimum closed length	4790mm
Minimum closed width	880mm
Minimum closed height	2021mm
Gross weight	2800kgs (dependent upon specification)

Engine	Hatz 1D42C diesel
AC motor	230v 13amp 2.2kW
optional AC motor	110v 32amp

Air & water pipes fitted from ground level to basket
 110v AC power outlet in basket
 12v DC power outlet in basket

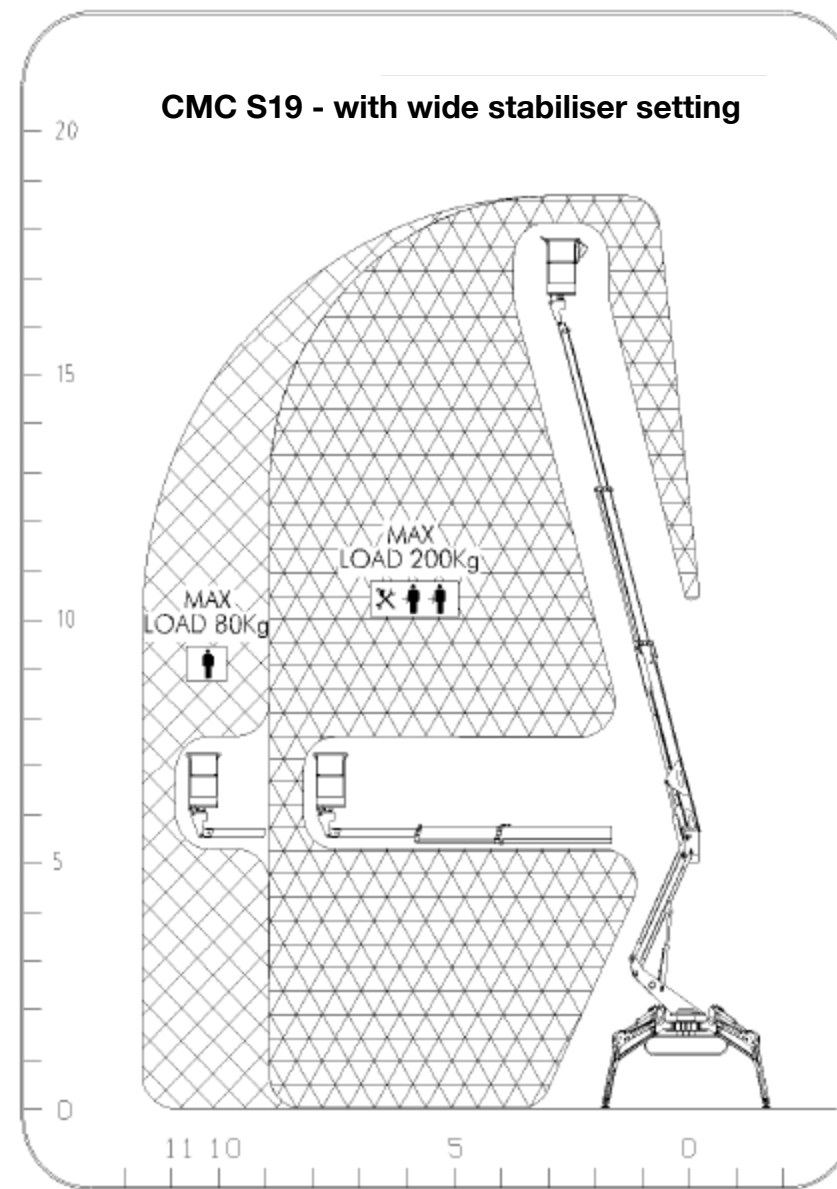
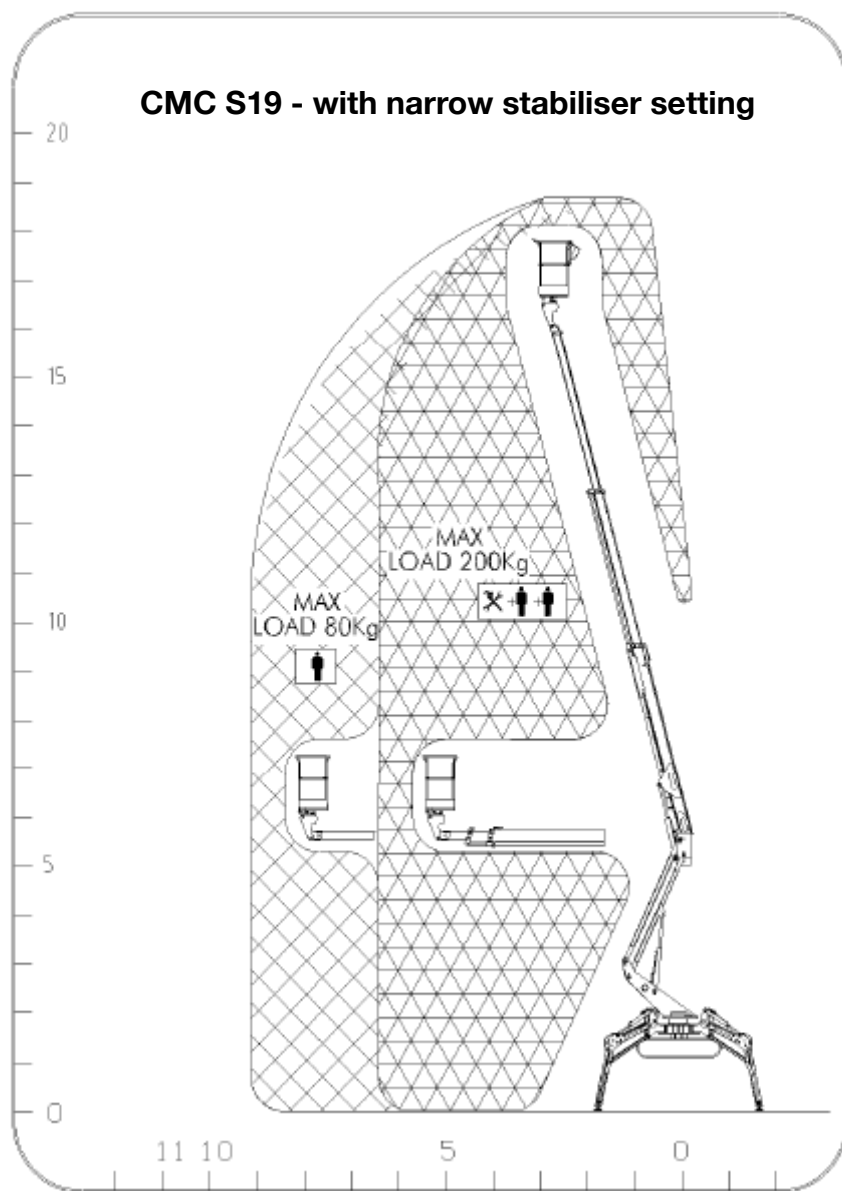
Optional Equipment:

'Evolution' control system (see details below) - recommended
 Hydraulic powered track width adjustment (877mm to 1,480mm)
 Non marking crawler tracks
 Radio remote control for drive function
 GRP fibreglass insulated basket in lieu of standard item

'Evolution' control system comprises: control system as per the S24 model, proportional controls throughout, via basket and also radio remote control, full automatic stabiliser setup, basket position memory and auto return to ground function.

The Original Spiderlift Company
www.spiderlift.co.uk
 Tel: 0870 225 5554

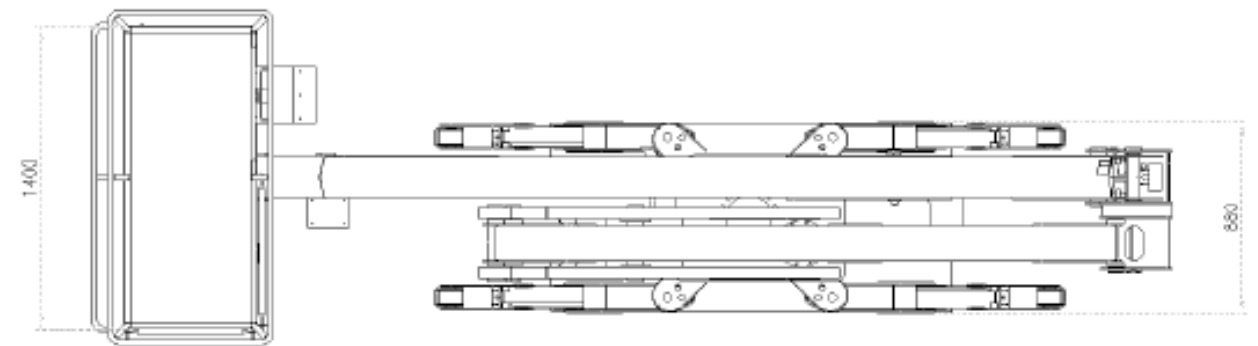
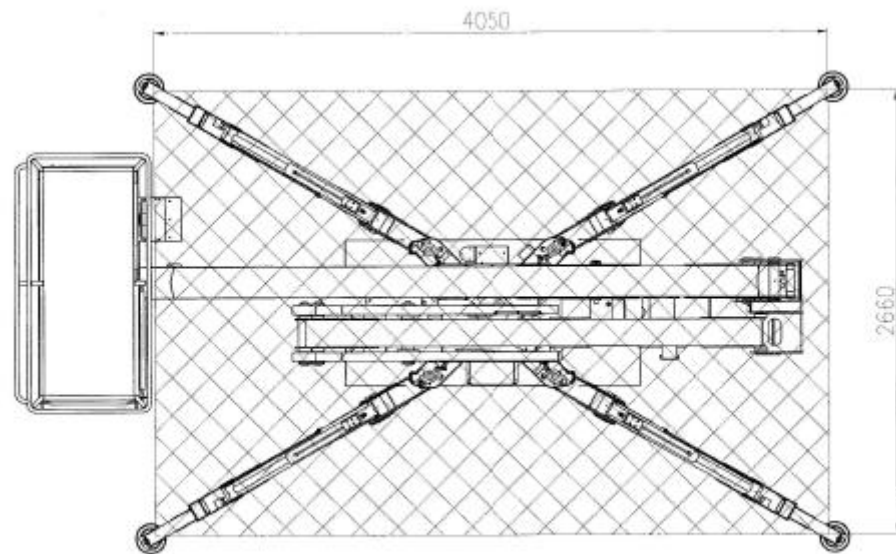
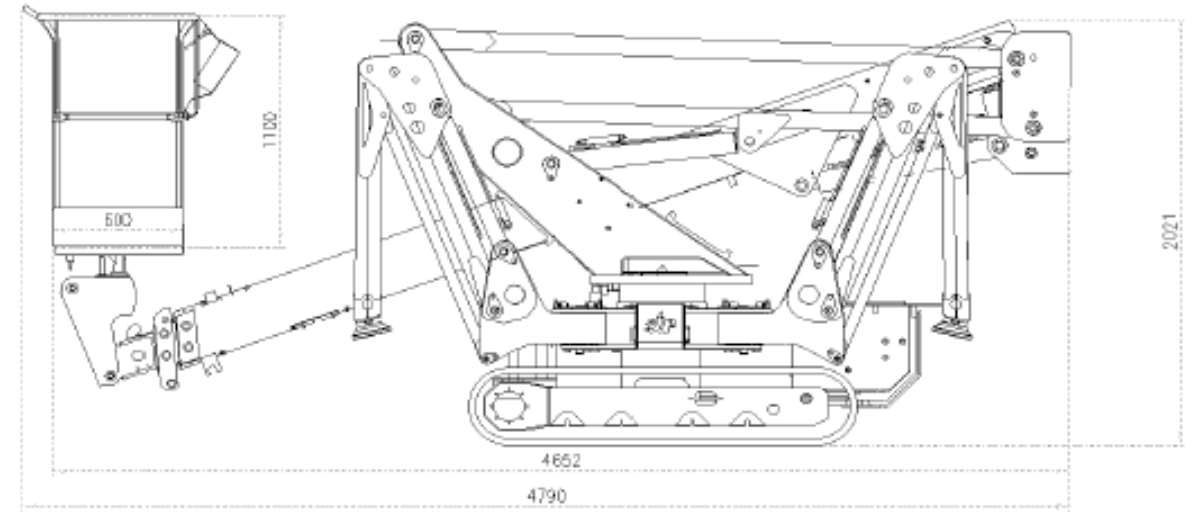
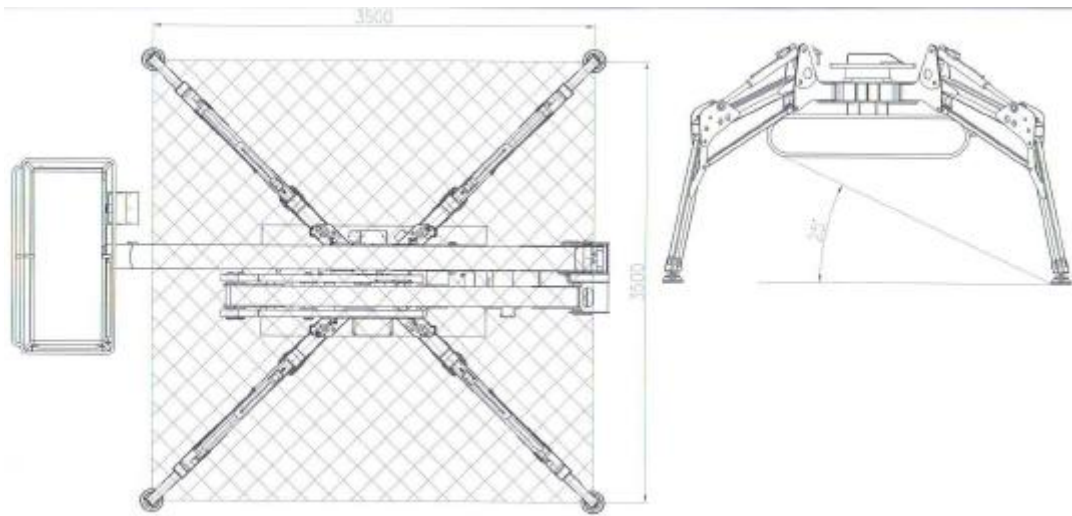




NOTE: Outreach limiting is variable dependent upon load in the basket, the diagrams show the upper and lower limits, but for example with a 100kgs load the max outreach is 11 metres and with 120kgs load it is 10 metres (according to the right hand diagram, with maximum stabiliser width).

The Original Spiderlift Company
www.spiderlift.co.uk
 Tel: 0870 225 5554





The Original Spiderlift Company
www.spiderlift.co.uk
 Tel: 0870 225 5554



SPIDERLIFT is a registered trademark of Ranger Equipment Ltd