

CMC-SPIDERLIFT S15 - Specification

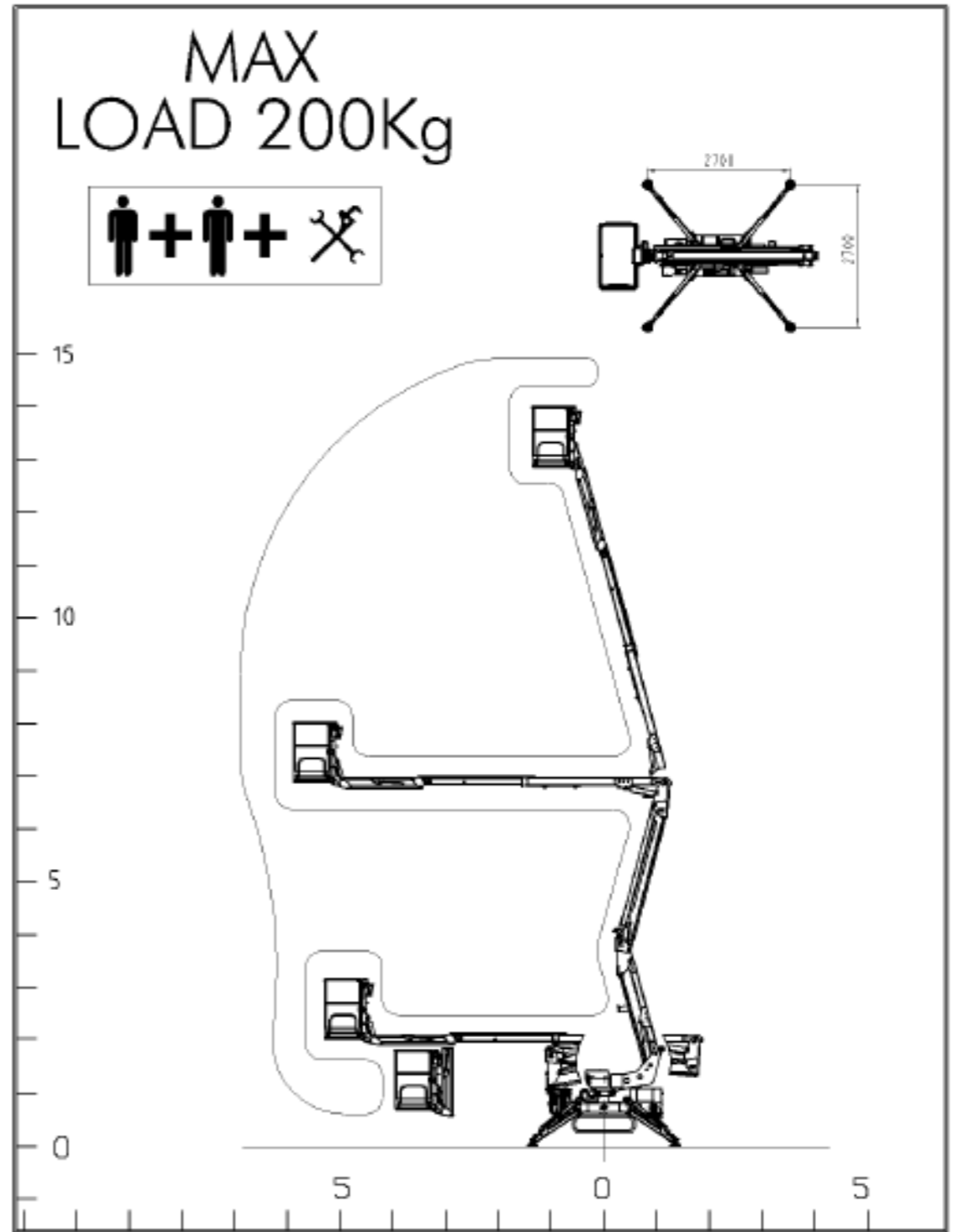


CMC-SPIDERLIFT S15

The Original Spiderlift Company
www.spiderlift.co.uk
Tel: 0870 225 5554



SPIDERLIFT is a registered trademark of Ranger Equipment Ltd

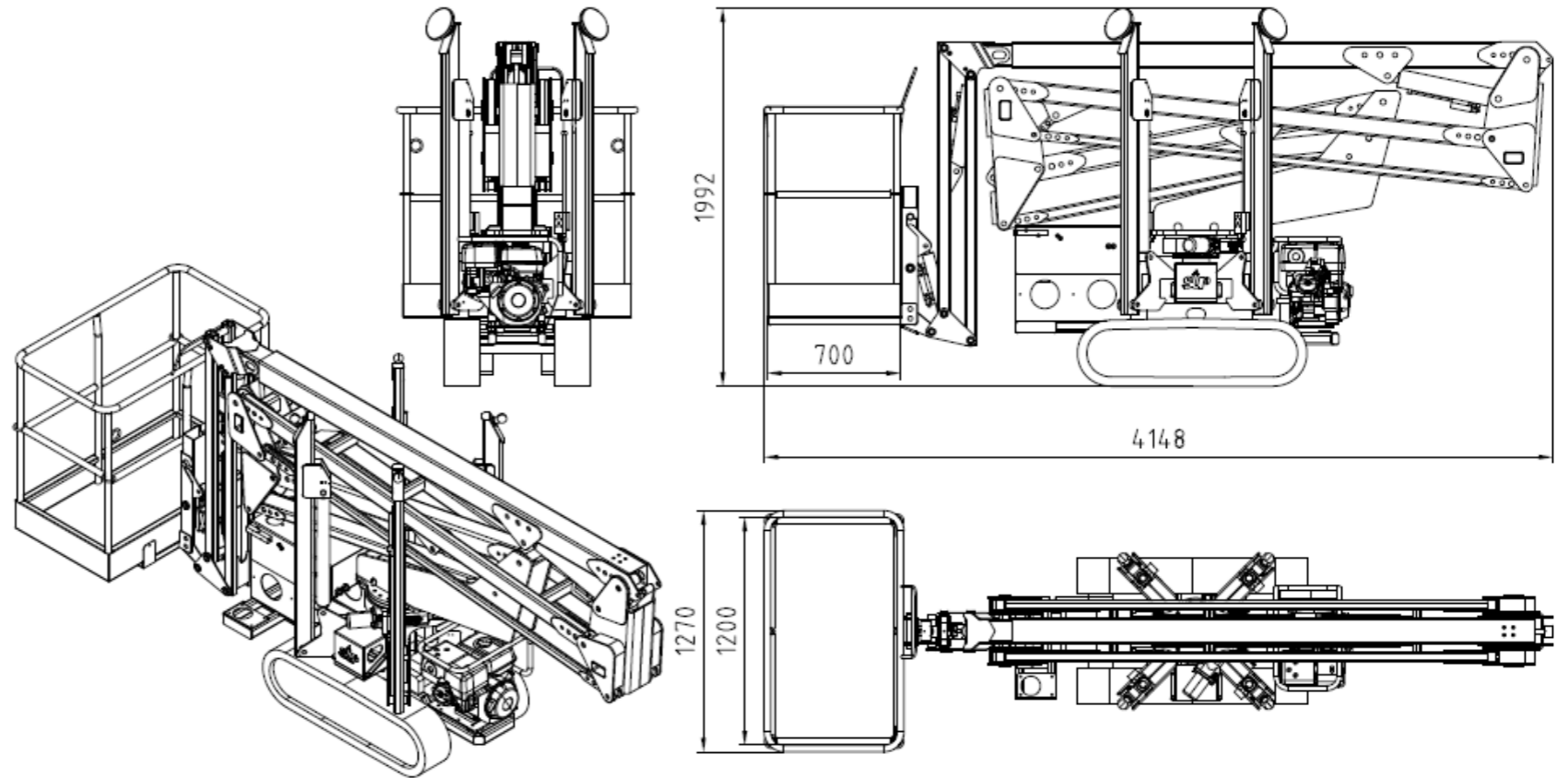


The Original Spiderlift Company
www.spiderlift.co.uk
 Tel: 0870 225 5554



SPIDERLIFT is a registered trademark of Ranger Equipment Ltd

Dimensions with basket attached.

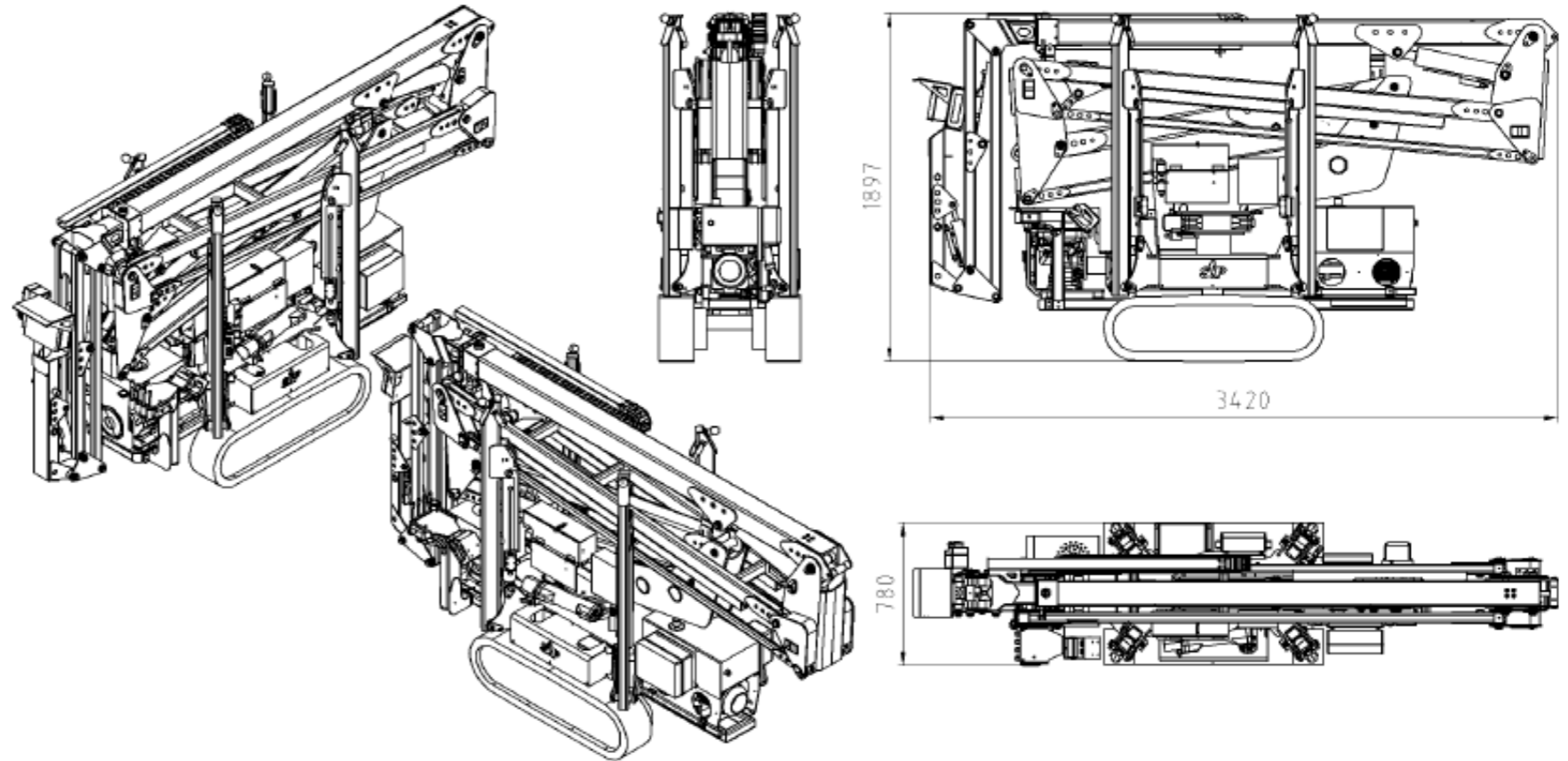


The Original Spiderlift Company
www.spiderlift.co.uk
Tel: 0870 225 5554



SPIDERLIFT is a registered trademark of Ranger Equipment Ltd

Dimensions with basket detached.



The Original Spiderlift Company
www.spiderlift.co.uk
Tel: 0870 225 5554



SPIDERLIFT is a registered trademark of Ranger Equipment Ltd



Standard Specification

Max. working height	15 metres
Max. horizontal outreach	7 metres, with full 200kgs capacity
Max. platform capacity	200kgs, to full working envelope
Platform basket	detachable aluminium - 1200x700x1100mm
Boom rotation	360 degrees (180+180 degrees)
Stabilisers	Hydraulic powered, articulated
Stabiliser base area	2700x2700mm
Boom configuration	Double pantograph riser Articulating/telescoping upper boom Articulating jib - 90 degrees

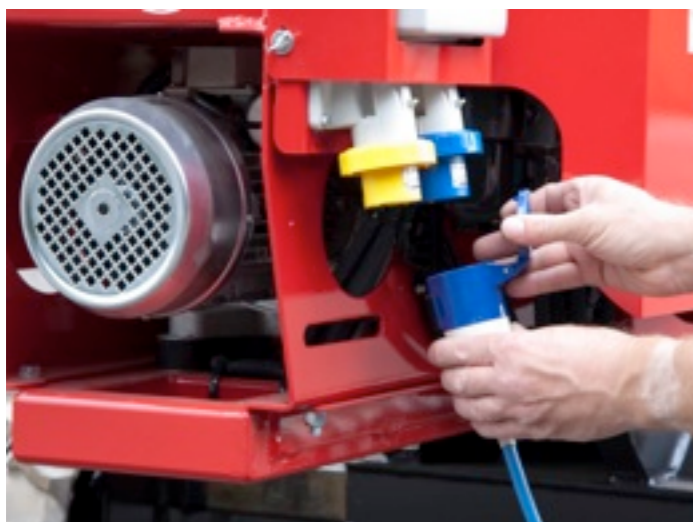
Minimum closed length	3420mm
Minimum closed width	780mm
Minimum closed height	1897mm
Gross weight	1660kgs

Engine	Honda GX390 petrol
Optional engine	Hatz 1B40C diesel
AC motor	230v 13amp 2.2kW
optional AC motor	110v 32amp

Air & water pipes fitted from ground level to basket
110v AC power outlet in basket
12v DC power outlet in basket

Optional Equipment:

Hydraulic powered track width adjustment (780mm to 1,480mm)
Non marking crawler tracks
Hatz 1B40 diesel engine in lieu of standard Honda petrol
Emergency electric pump (for powered emergency descent)
GRP fibreglass insulated basket in lieu of standard item



The Original Spiderlift Company
www.spiderlift.co.uk
Tel: 0870 225 5554

